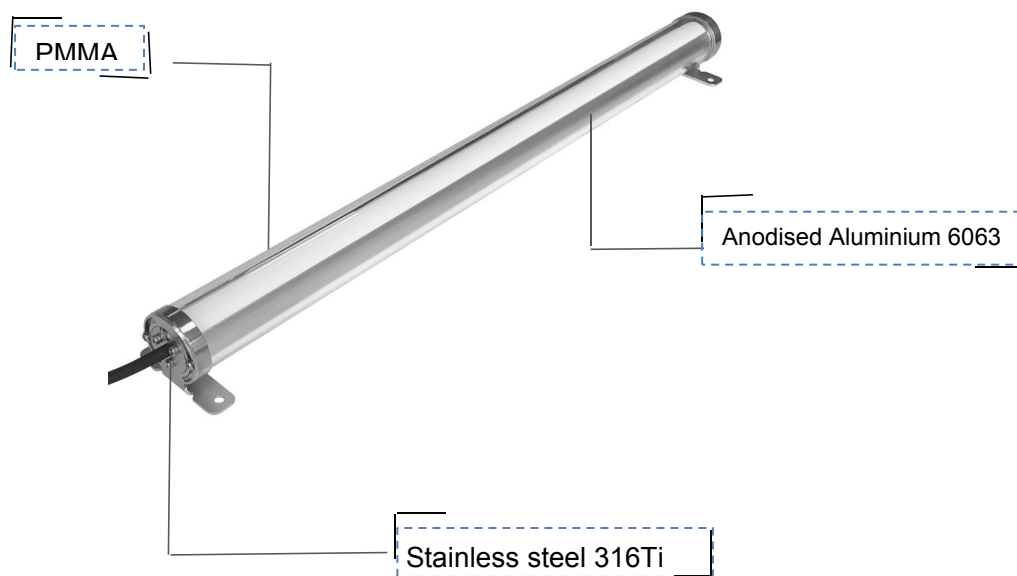


DESCRIPTION

- Protection class IP 68
- Entirely mad of stainless steel 316Ti and PMMA
- Round PMMA cover, height 5mm
- Power-LED cold white, warm white, neutral white,RGB,RGBW
- Low-Power-LED cold white, warm white, neutral white,RGB,RGBW
- Operating mode: constant current or constant voltage
- Rotationally symmetric light distribution
- 500mm and 1000mm versions available(to be ordered separately according to project needs!)



For accentuation in small swimming pools, whirlpools, jacuzzis and water bodies and water displays.

Technical Parameters

| | LX-SC-010B | |
|------------------------------|---|--------------|
| Power Consumption | Max. 24W | Max. 24W |
| Qty of LEDs | 30PCS | 60PCS |
| LED Source | CREE, ORSAM, LUMILEDS | |
| LED Source Luminous Efficacy | 135 Lm/w(3000K)、140 Lm/w(4000K)、150 Lm/w(6000K) | |
| CRI | Ra≥80 | |
| CCT/Color | 3000K、4500K、6000K、RGBW | |
| Lumen Maintenance | 50,000 hrs L70 at 25°C | |
| Beam Angle | 120° | |
| Input Voltage | 24V DC | |
| Control | ON/OFF、DMX512 | |
| Material | Aluminum & Stainless Steel & Clear PMMA Cover | |
| Size | 526×40×50mm | 1026×40×50mm |
| Weight | 0.88kg | 1.76kg |
| Mech impact protection | IK08 | |
| Protection | IP68 | |
| Operating Temperature | -20°C ~ 50°C / -4°F ~ 122°F | |
| Storage Temperature | -30° C ~ 80°C / -22°F ~ 176°F | |
| Certification | FCC、CE、ROHS、CCC | |

Dimensions

Unit mm

