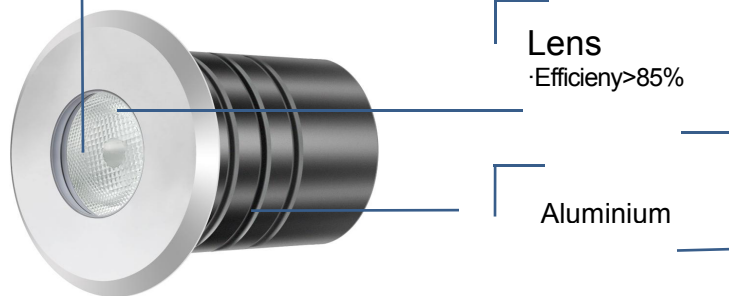


DESCRIPTION

- Protection class IP 68
- Cover made of stainless steel 316Ti
- Round or square attachment cover, height 3mm
- Toughened safety glass (ESG)- withstands loads of up to 650 kg
- POWER-LED cold white, warm white, neutral white,blue
- Multichip POWER-LED RGB,RGBW
- Operating mode: constant current or constant voltage
- Rotationally symmetric light distribution
- Cable pressure sleeve, stainless steel 316Ti
- Supplied with 5m of UW-cable

Toughened safety glass

- Height 5mm
- Efficiency>85%



IP 68

IK 10

STAINLESS
STEELV4A
1.4571
316Ti

3000K
4500K
6000K

RGBW

ON/OFF

DMX

DALI



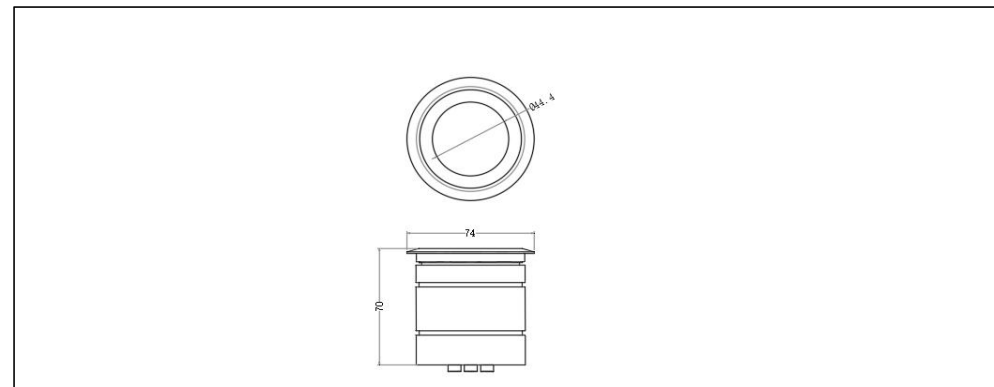
For accentuation in small swimming pools, whirlpools and water displays.

Technical Parameters

	LX-UD-001D
Power Consumption	Max. 10W
Qty of LED	1PCS
LED Type	CREE、ORSAM、LUMILEDS
LED Source Luminous Efficacy	135 Lm/w(3000K)、140 Lm/w(4000K)、150 Lm/w(6000K)
CRI	Ra≥80
CCT/Color	3000K、4500K、6000K、RGBW
Lumen Maintenance	50,000 hrs L70 at 25°C
Beam Angle	10°、30°
Input Voltage	24VDC、Max. 500MA@24VDC
Control	ON/OFF、DMX512、DALI
Material	Stainless Steel & Aluminum & Tempered Glass
Size	φ74× H70mm
Weight	0.58kg
Mech impact protection	IK10
Protection	IP68
Operating Temperature	-20°C ~ 50°C / -4°F ~ 122°F
Storage Temperature	-30° C ~ 80°C /-22°F ~ 176°F
Certification	FCC、CE、ROHS、CCC

Dimensions

Unit: mm



www.sz-lesan.com